

# Skyfol® PPF nano Elite 3

## PAINT PROTECTION FILM



The newest member of our PPF family is the **Skyfol PPF Nano Elite 3**, an upgraded version of our deservedly popular Nano Elite 2 film. We've raised the bar in every aspect: it is 25 microns thicker, offering unparalleled durability, while its flexible structure ensures fast and comfortable installation. Not only is the film itself more robust, but its coating has also been reinforced, providing numerous benefits. Most importantly, it delivers industry-leading anti-staining, while its surface is smooth, with increased brightness and a perfectly orange-peel-free finish.



**Industry-leading anti-staining**



**Orange-peel-free finish**



**Smooth surface**



**Reinforced coating**



**Increased gloss**

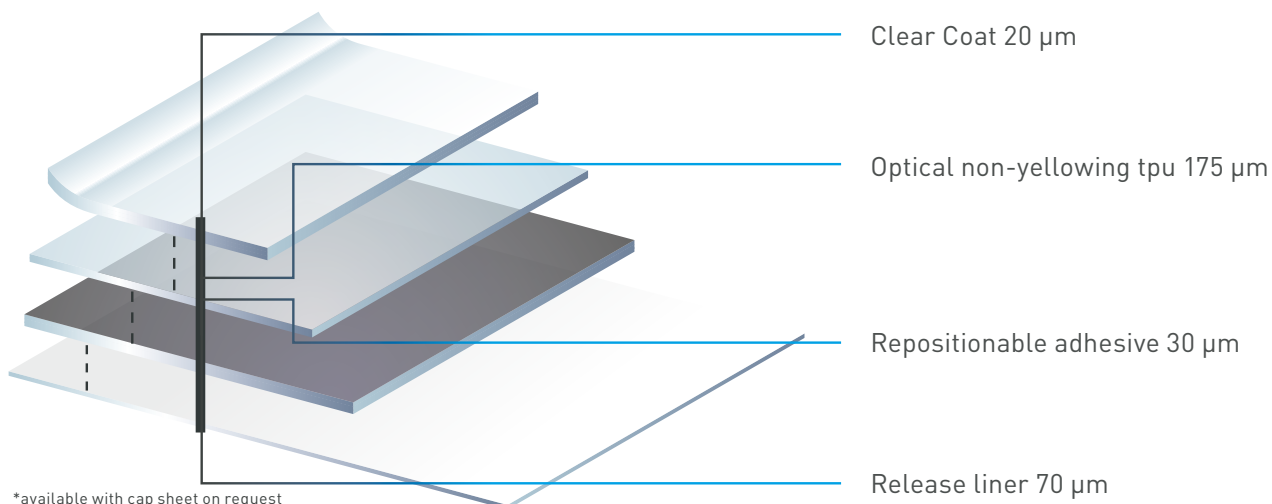


**Self-healing feature**

### RAW MATERIAL

Skyfol PPF Nano Elite 3 is a biodegradable, polyester-based aliphatic thermo polyurethane film. As it is resistant to yellowing and UV, it is widely used for the exterior surface protection of vehicles.

STRUCTURE OF THE FILM (without cap sheet)\*



TECHNICAL FEATURES

<b>Thickness of the film</b>	225 µm
<b>Gloss value</b>	> 95
<b>Adhesion ASTM D3330</b>	1300-1400 gf/inch
<b>Strech</b>	19,5 N
<b>Adhesive</b>	Repositionable, non-yellowing, crystal-clear acrylic adhesive
<b>Resistance</b>	The film is resistant to general-use automotive fuels
<b>Shelf life</b>	1 year, stored optimally at 22°C and with relative humidity 50%

TECHNICAL SPECIFICATIONS:

technical data, recommendations, and other statements contained in this document are based on tests and experimental data that we believe to be reliable but whose accuracy and completeness are not guaranteed.

PRODUCT USE:

in actual use, many of the factors beyond the control of Skyfol can affect the performance of the product. Due to the diversity of factors affecting product performance, it is entirely the responsibility of the user to make sure that the film is suitable for the actual use.

PRODUCT SAFETY:

the product is a urethane film with residual solvent odour, but it does not release hazardous chemicals under normal use.

LIMITATION OF LIABILITY:

with the exception of statutory prohibitions, Skyfol shall not be held liable for any direct, indirect, special or incidental loss or damage related to the Skyfol product, regardless of any legal, statutory (warranty, contract), negligence or objective liability.

WARRANTY

The installer assumes a 12-year warranty on the installation.

The warranty period begins on the date of the invoice issued for the installation. The warranty applies only if installation is carried out on the original factory paintwork. The warranty is non-transferable and applies only to the original customer. The warranty concerns surface cracks, bubbling, adhesive failure and delamination. In case of problems due to material defects, Skyfol undertakes to replace the material, while the installer covers the cost of changing the film. The value of the claim shall not exceed the gross purchase price indicated on the invoice for the sale of the product. The warranty does not cover damage caused by improper use, accidents and normal wear and tear of the product, neither dents caused by stones and road debris. Before installing the film on headlights, check local legal regulations that may vary by region. Skyfol does not warrant the PPF Nano Elite material installed on headlights, nor takes any liability for related fines.

The paint protection film can be ordered from official Skyfol distributors published at [www.skyfol.com](http://www.skyfol.com). Always consult the relevant Skyfol representatives who will inform you about roll sizes, minimum order quantities, prices and other business terms.

CONTACT

For the selection of the material and to receive technical assistance for application, visit our website at [www.skyfol.com](http://www.skyfol.com)