

Skyfol® PPF nano Elite 2

PAINT PROTECTION FILM



Skyfol PPF Nano Elite 2 is an improved version of the deservedly popular Nano Elite paint protection film. It has all the same excellent properties as the first generation of Nano Elite, but it has even more **stain resistance**. The most important feature of Nano Elite 2 is the more flexible structure, **which enables significantly faster** and comfortable installation. **Hydrophobicity** of Nano Elite 2 is excellent, besides the **unparalleled durability, especially on white cars** and in extreme weather conditions - recommended for the **Middle East and under harsh conditions as well!**

FEATURES OF THE SPECIAL TOPCOAT



H2ORepel

Due to its water-repellent feature, the surface is very easy to clean.



StainResist

The improved top coating does not let contamination into deeper layers, therefore stains will be easy to remove and the film is much more resistant to yellowing.



SuperGloss

Thanks to its special manufacturing technology, surface gloss is perfect, so it perfectly fits the paint.



DuraShield

Its high quality makes the film totally resistant to external exposure.



GravelGuard

The paintwork will be protected from stone chips and other physical impacts.



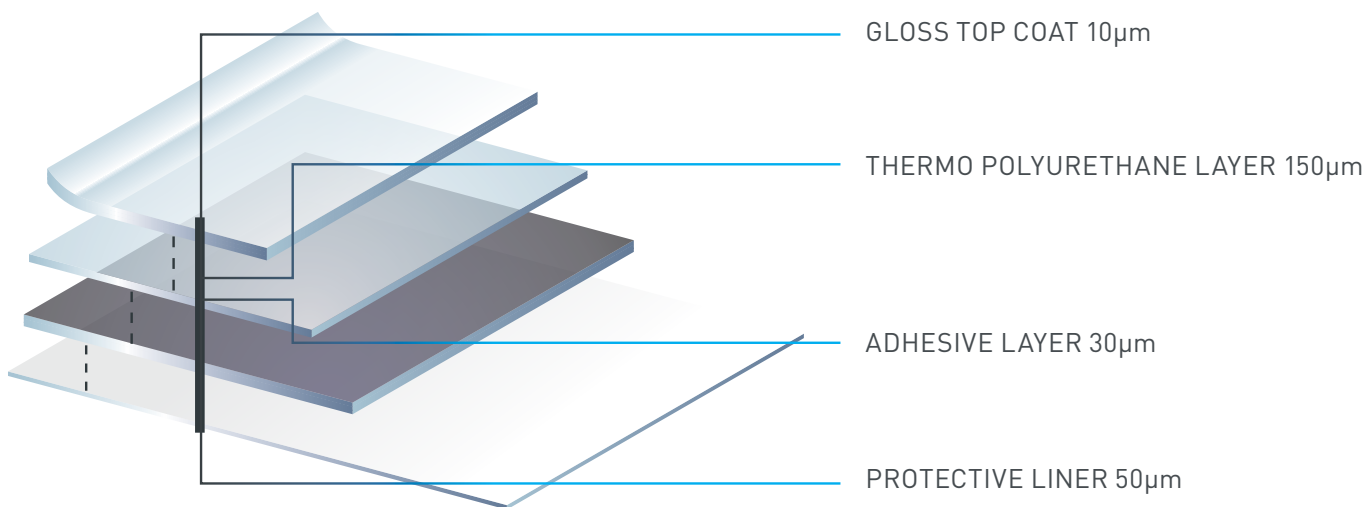
ScratchCure

Microscratches will disappear from its patented surface coating.

RAW MATERIAL

Skyfol PPF Nano Elite 2 is a biodegradable, polyester-based aliphatic thermo polyurethane film. As it is resistant to orange peel, yellowing and UV, it is widely used for the exterior surface protection of vehicles.

STRUCTURE OF THE FILM (without cap sheet)*



*available with cap sheet on request

TECHNICAL FEATURES

Thickness of the polyurethane film:	150 µm
Gloss value:	> 94
Elongation at break:	550% (ASTM D412)
Adhesive:	Repositionable, non-yellowing, crystal-clear acrylic adhesive
Resistance:	The film is resistant to general-use automotive fuels
Shelf life:	1 year, stored optimally at 22°C and with relative humidity 50%

TECHNICAL SPECIFICATIONS:

technical data, recommendations, and other statements contained in this document are based on tests and experimental data that we believe to be reliable but whose accuracy and completeness are not guaranteed.

PRODUCT USE:

in actual use, many of the factors beyond the control of Skyfol can affect the performance of the product. Due to the diversity of factors affecting product performance, it is entirely the responsibility of the user to make sure that the film is suitable for the actual use.

PRODUCT SAFETY:

the product is a urethane film with residual solvent odour, but it does not release hazardous chemicals under normal use.

LIMITATION OF LIABILITY:

with the exception of statutory prohibitions, Skyfol shall not be held liable for any direct, indirect, special or incidental loss or damage related to the Skyfol product, regardless of any legal, statutory (warranty, contract), negligence or objective liability.

WARRANTY & EXPECTED DURABILITY

The installer assumes a 12-year warranty on the installation. The warranty period begins on the date of the invoice issued for the installation. The warranty applies only if installation is carried out on the original factory paintwork. The warranty is non-transferable and applies only to the original customer. Expected durability periods is 12 years. The expected durability of the film concerns the non-appearance of yellowing and surface cracks. In case of problems due to material defects, Skyfol undertakes to replace the material. The value of the claim shall not exceed the gross purchase price indicated on the invoice for the sale of the product. The warranty does not cover damage caused by improper use, accidents, improper installation and normal wear and tear of the product, neither dents caused by stones and road debris. Before installing the film on headlights, check local legal regulations that may vary by region. Skyfol does not warrant the PPF Nano material installed on headlights, nor takes any liability for related fines. The paint protection film can be ordered from official Skyfol distributors published at www.skyfol.com. Always consult the relevant Skyfol representatives who will inform you about roll sizes, minimum order quantities, prices and other business terms.

CONTACT

For the selection of the material and to receive technical assistance for application, visit our website at www.skyfol.com